

Ethernet Protection Solutions



Ethernet protection solutions featuring industry leading clamping voltage performance, high ESD immunity and low capacitance TVS arrays



Contents

Automotive Ethernet

| | |
|--------------|---|
| PHY side | 3 |
| Line side | 3 |
| 10 Base T1 S | 4 |

Industrial Ethernet

| | |
|-------------------------------|---|
| Multi Gig Ethernet protection | 4 |
| Gigabit Ethernet Protection | 5 |
| 10/100 Ethernet Protection | 5 |

High Performance

Circuit Protection – Ethernet ports

Semtech's industry leading TVS protection devices safeguard data-line circuits from ESD and other overvoltage transients. With leading edge process technologies and applications expertise, Semtech is leading the way in automotive circuit protection.

Automotive Ethernet

Automotive Ethernet is the new physical layer standard, using the Ethernet standard as an in-vehicle network technology. It offers high immunity, reduced cabling, and high-speed data rates. High immunity and reduced cabling are the two big innovations that helped bring Ethernet inside the vehicle. Automotive Ethernet is classified into below categories.

- PHY side Ethernet protection- 100/1000Base-T1 & MG Base-T1
- Line side Ethernet protection- 100/1000Base-T1
- 10BASE-T1S Ethernet Protection

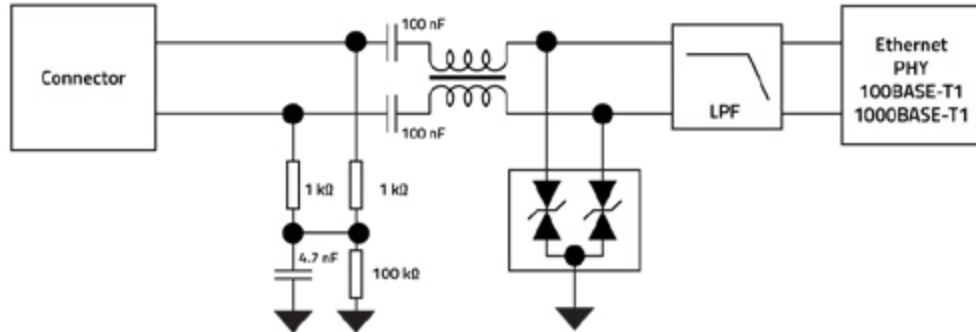
Industrial Ethernet

The industry-applied Ethernet protocol, called Industrial Ethernet, is the fastest growing communication protocol within industrial automation and control systems. Industrial Ethernet is the term used to represent industrial protocols that use the standard Ethernet physical layer and standard Ethernet protocols. Based on the speed Industrial Ethernet is classified into

- 10/100 Ethernet
- Gigabit Ethernet
- Multi-Gig Ethernet

Automotive Ethernet

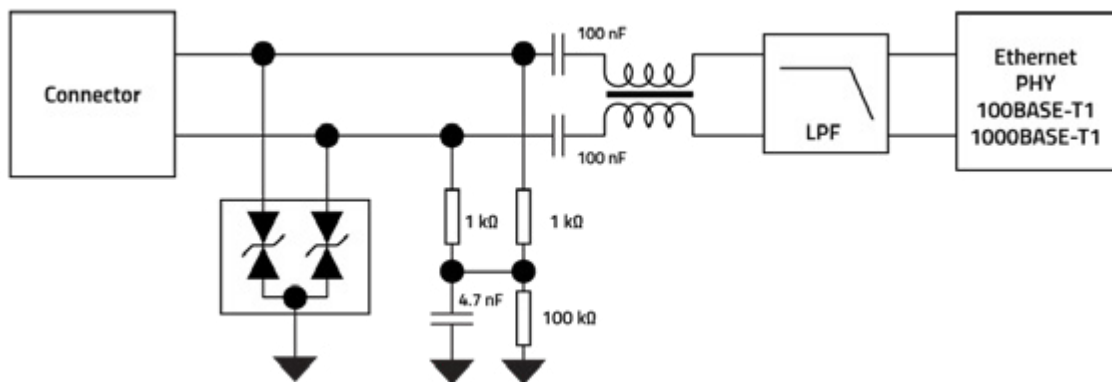
PHY Side Ethernet Protection- 100/1000 Base T1 and MG Base T1



100/1000 Base T1 and MG Base T1 Ethernet protection

| Interface to Protect | Part Number | VRWM (V) | Lines | ESD Rating (contact/air) | Surge (8x20μs) | Cap (pF) | Package (mm) |
|----------------------|--------------------------------|----------|-------|--------------------------|----------------|----------|------------------|
| Ethernet-PHY side | RClamp0582BQ | 5 | 2 | ±25kV/±30kV | 15A | 1.2 | 1.6 x 1.6 x 0.75 |
| | RClamp0592PWQ | 5 | 2 | ±30kV/±30kV | 10A | 1.2 | 1.0 x 0.6 x 0.55 |
| | RClamp01892PWQ | 1.8 | 2 | ±8kV/ ±15kV | 2.5A | 0.35 | 1.0 x 0.6 x 0.55 |

Line Side Ethernet Protection- 100/1000 Base T1

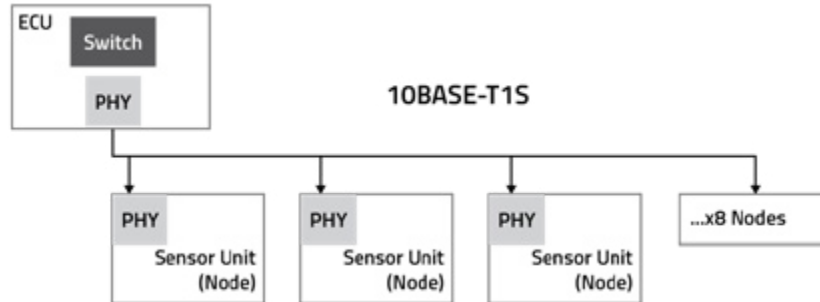


100/1000 Base T1 Ethernet protection

| Interface to Protect | Part Number | VRWM (V) | Lines | ESD Rating (contact/air) | Surge (8x20μs) | Cap (pF) | Package (mm) |
|----------------------|--------------------------------|----------|-------|--------------------------|----------------|----------|------------------|
| Ethernet-Line side | EClamp10012PQ | 30 | 2 | ±12kV/±17kV | 3A | 1.4 | 2.0 x 1.0 x 0.6 |
| | RClamp10012PQ | 30 | 2 | ±12kV/±17kV | 3A | 1.4 | 2.0 x 1.0 x 0.6 |
| | RClamp10022PWQ | 30 | 2 | ±15kV/±25kV | 6A | 0.6 | 2.0 x 1.0 x 0.55 |

Automotive Ethernet

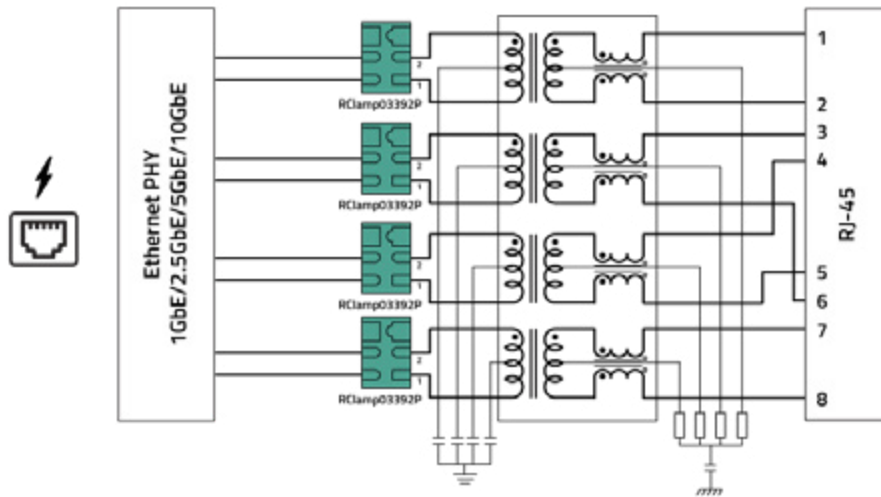
Ethernet Protection- 10 Base T1S



| 10BASE-T1S Ethernet Protection | | | | | | | |
|--------------------------------|--------------------------------|----------|-------|--------------------------|----------------|----------|------------------|
| Interface to Protect | Part Number | VRWM (V) | Lines | ESD Rating (contact/air) | Surge (8x20µs) | Cap (pF) | Package (mm) |
| Ethernet 10 Base-T1S | RClamp10022PWQ | 30 | 2 | ±15kV/±25kV | 6A | 0.6 | 2.0 x 1.0 x 0.55 |

Industrial Ethernet

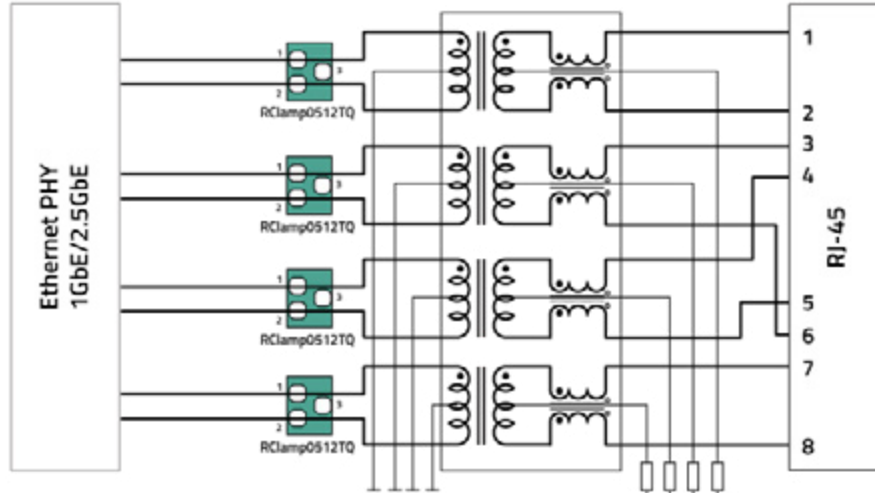
Multi-Gig Ethernet Protection



| Multi-Gig Ethernet protection | | | | | | | | |
|-------------------------------|---------------------|------------------------------|----------|-------|--------------------------|----------------|----------|------------------|
| Interface to Protect | Supported data rate | Part Number | VRWM (V) | Lines | ESD Rating (contact/air) | Surge (8x20µs) | Cap (pF) | Package (mm) |
| Multi Gig-Ethernet | 1G/2.5G | RClamp0512TQ | 5 | 2 | ±30kV/±30kV | 20A | 2 | 1.0 x 0.6 x 0.4 |
| | 2.5G/5G | RClamp3361P | 3.3 | 1 | ±12kV/±15kV | 7A | 0.25 | 1.0 x 0.6 x 0.5 |
| | 10G | RClamp3382P | 3.3 | 2 | ±25kV/±25kV | 10A | 0.35 | 1.6 x 1.0 x 0.5 |
| | 10G | RClamp03392P | 3.3 | 2 | ±8kV/±20kV | 6A | 0.25 | 1.6 x 1.0 x 0.55 |

Industrial Ethernet

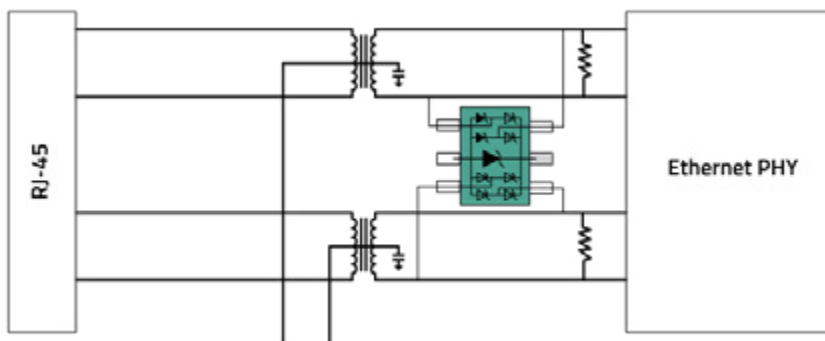
Gigabit Ethernet Protection



Gigabit Ethernet protection

| Interface to Protect | Part Number | VRWM (V) | Lines | ESD Rating (contact/air) | Surge (8x20μs) | Cap (pF) | Package (mm) |
|----------------------|------------------------------|----------|-------|--------------------------|----------------|----------|-----------------|
| Gigabit Ethernet | RClamp0512TQ | 5 | 2 | ±30kV/±30kV | 20A | 1.2 | 1.0 x 0.6 x 0.4 |
| | RClamp3374N | 3.3 | 8 | ±30kV/±30kV | 40A | 1.7 | 3.0 x 2.0 x 0.6 |

10/100 Ethernet Protection



10/100 Ethernet protection

| Interface to Protect | Part Number | VRWM (V) | Lines | ESD Rating (contact/air) | Surge (8x20μs) | Cap (pF) | Package (mm) |
|----------------------|------------------------------|----------|-------|--------------------------|----------------|----------|------------------|
| 10/100 Ethernet | RClamp3354S | 3.3 | 4 | ±30kV/±30kV | 25A | 3.8 | 2.9 x 2.8 x 1.10 |
| | RClamp0554S | 5 | 4 | ±30kV/±25kV | 25A | 5 | 2.9 x 2.8 x 1.10 |
| | RClamp0512TQ | 5 | 2 | ±30kV/±30kV | 20A | 1.2 | 1.0 x 0.6 x 0.4 |



For a detailed list of sales representatives
in your area please visit **[semtech.com/sales](https://www.semtech.com/sales)**



Semtech Corporation is a leading global supplier of high performance analog and mixed-signal semiconductors and advanced algorithms for infrastructure, high-end consumer and industrial equipment. Products are designed to benefit the engineering community as well as the global community. The Company is dedicated to reducing the impact it, and its products, have on the environment. Internal green programs seek to reduce waste through material and manufacturing control, use of green technology and designing for resource reduction. Publicly traded since 1967, Semtech is listed on the NASDAQ Global Select Market under the symbol SMTC. For more information, visit www.semtech.com.

200 Flynn Road, Camarillo, California 93012 | 805-498-2111

semtech.com |     Find us, like us, follow us